



Engineered**Products**

Installation Instructions

1661000A

Hydr-O-Rail Guide Rail Adapter Kit

for LEP Dual Seal Solids Handling Pumps

Kit #K001875 for LEP 3–5 hp pumps

Kit #K001876 for LEP 7.5–10 hp pumps

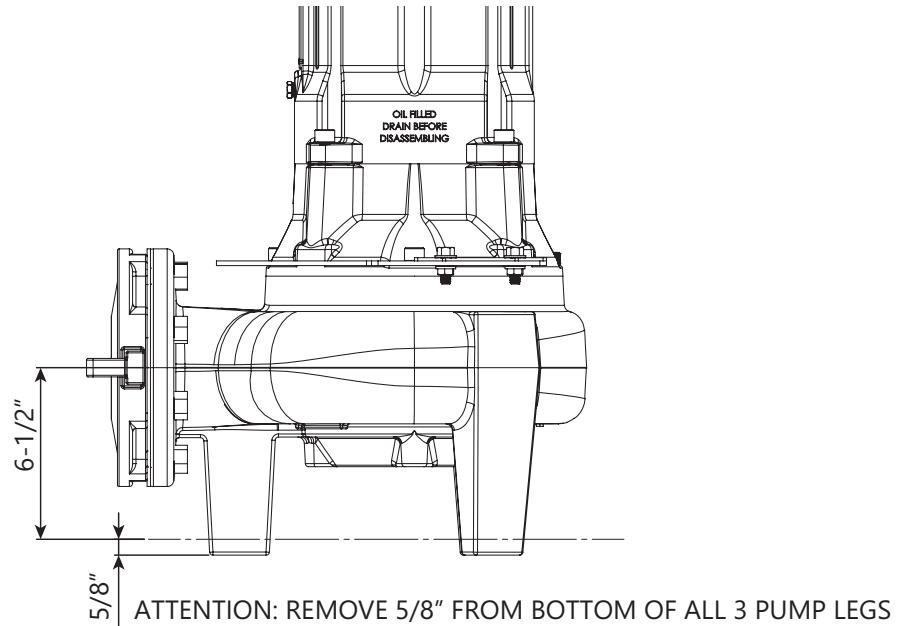
Kit Contents:

- Qty 1 Main Adapter Bracket
- Qty 1 4" ANSI Neoprene Gasket
- Qty 2 Adapter Guide Plate
- Qty 3 1/2-13 Socket Head Cap Screw, SS
- Qty 4 3/8-16 Flange Head Screw, SS
- Qty 4 3/8-16 Nut, SS
- Qty 8 5/8-11 Hex Head Screw, SS

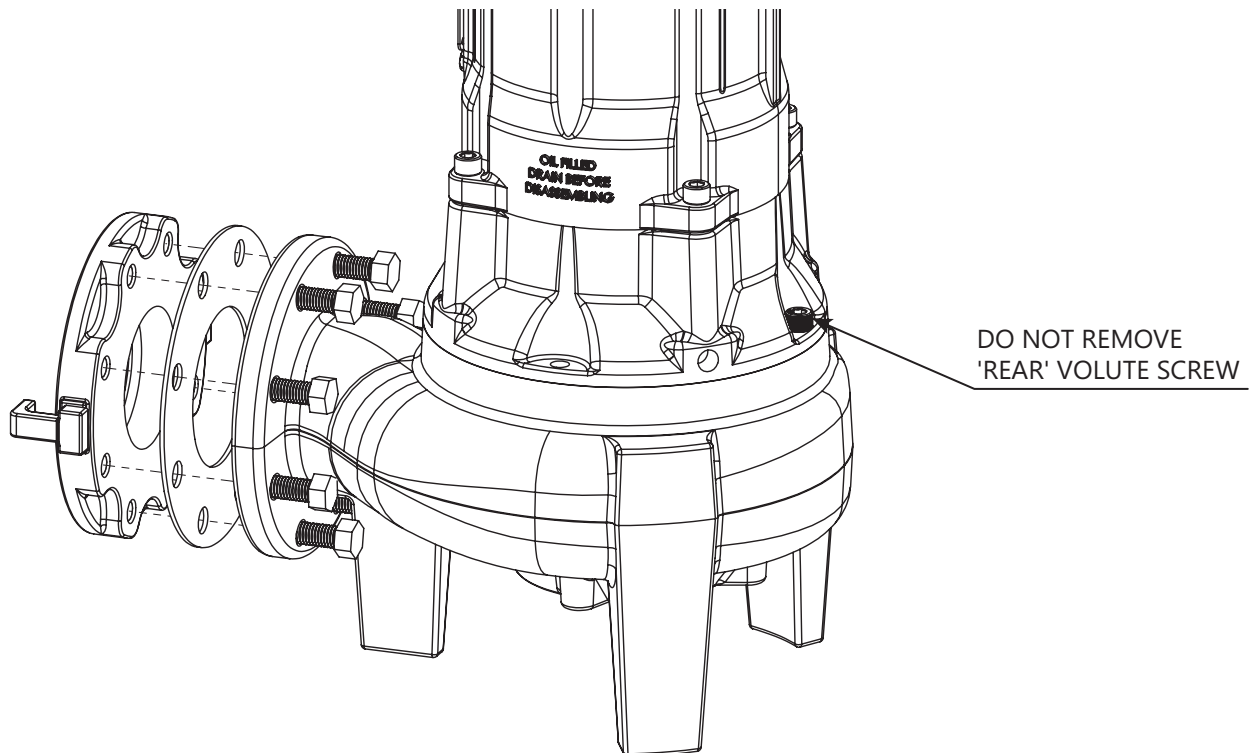
Hydr-O-Rail is part of a Pentair Hydromatic® System

Installation:

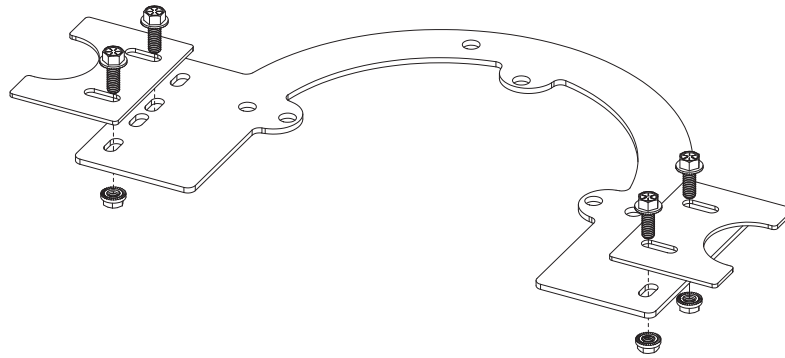
Step 1: In order to achieve the correct discharge height, the legs of the pumps must be trimmed by 5/8". When finished, the centerline of the discharge should measure 6-1/2" from the floor. Cutting the legs is made easier by use of a portable band saw or reciprocating saw.



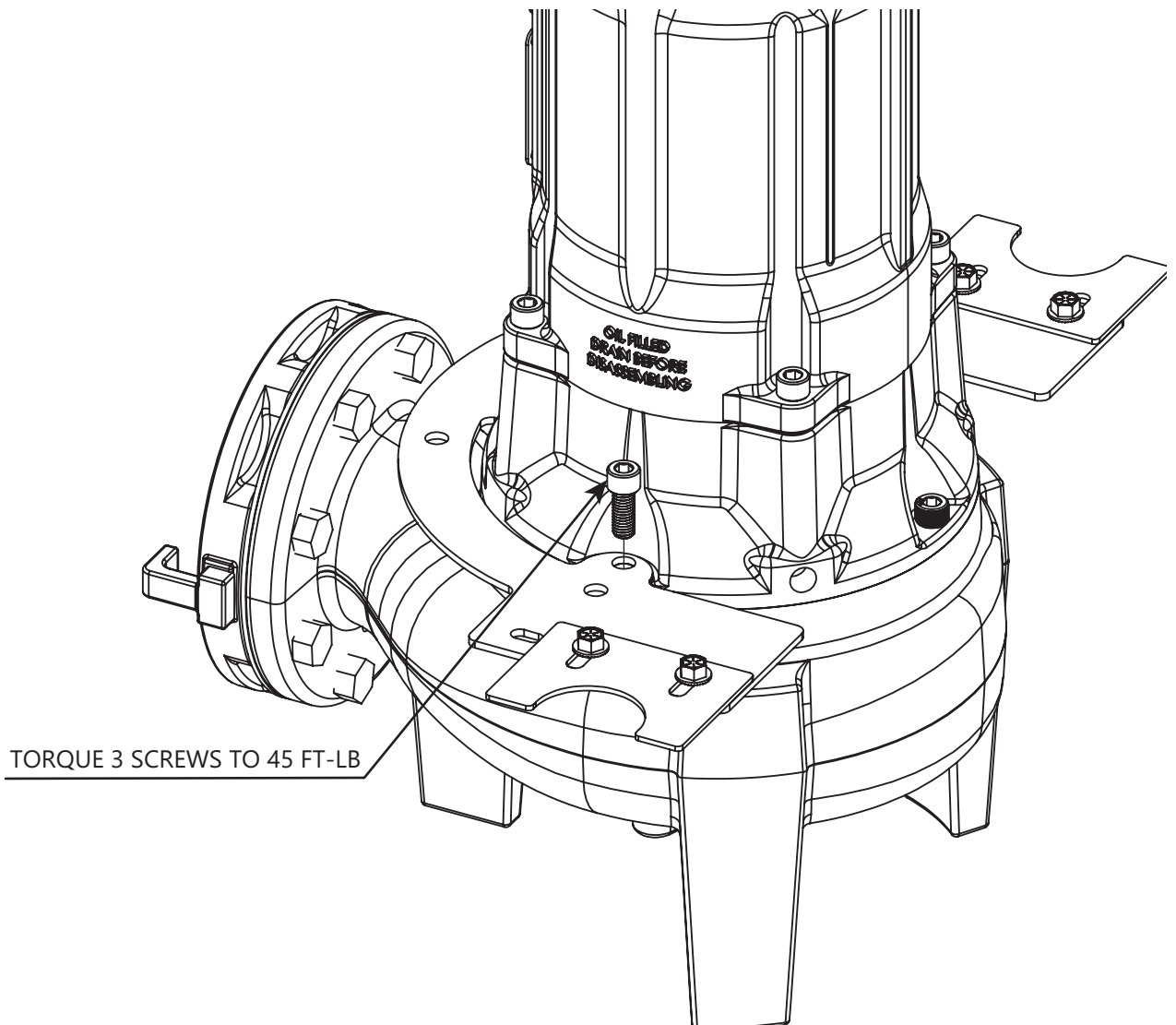
Step 2: Fasten the existing Sealing Flange to the pump discharge. Three of the socket head cap screws that fasten the volute to the pump motor must be removed. *Do not* remove the screw opposite of the pump discharge.



Step 3: Assemble the Adapter Guide Bracket Assembly. The 2 Guide Plates must be fastened to the Main Adapter Bracket.



Step 4: Install the Guide Bracket Assembly on the pump. Fasten the Guide Bracket Assembly to the pump using the provided 1/2-13 socket head cap screws. Do not reuse the original volute screws. Torque the 3 screws to 45 ft-lb.

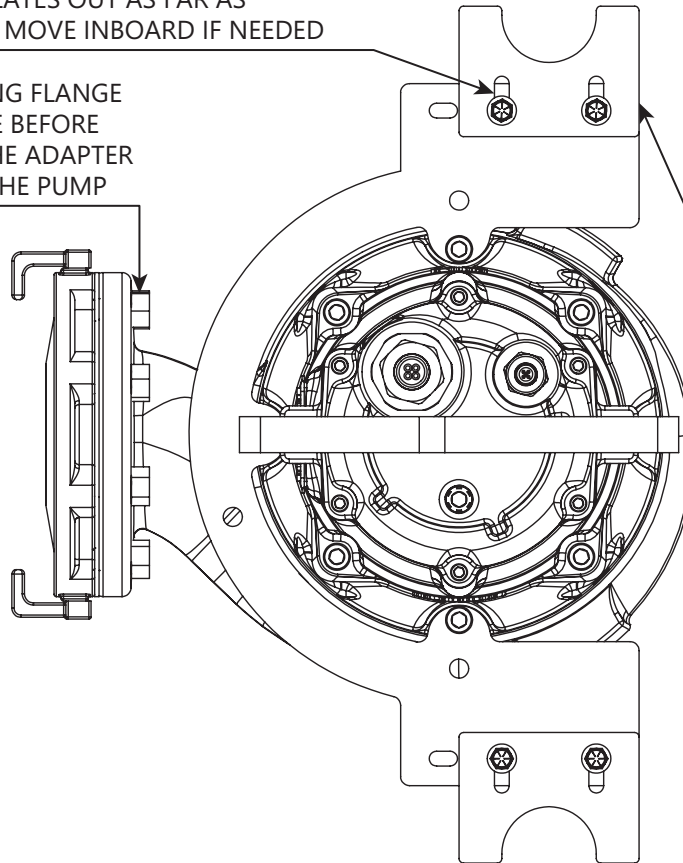


Step 5: Adjustment of Guide Plates: The Guide Plates are adjustable to account for system installation variations and wear or corrosion. Guide Plates can be adjusted fore and aft and also inboard or outboard. Start with the edge of the Guide Plate lined up with the edge of the Adapter Bracket that faces opposite of the pump discharge. Both Guide Plates should also be moved out as far as possible.

GUIDE PLATES SLOTTED FOR ADJUSTABILITY.
BEGIN WITH PLATES OUT AS FAR AS
POSSIBLE AND MOVE INBOARD IF NEEDED

FASTEN SEALING FLANGE
TO DISCHARGE BEFORE
INSTALLING THE ADAPTER
BRACKET ON THE PUMP

LINE EDGE OF GUIDE
PLATE WITH REAR
FACING EDGE OF
ADAPTER BRACKET



Liberty Pumps®

Engineered **Products**

7000 Apple Tree Avenue
Bergen, NY 14416
ph: 800-543-2550
fax: 585-494-1839
www.LibertyPumps.com/LEP